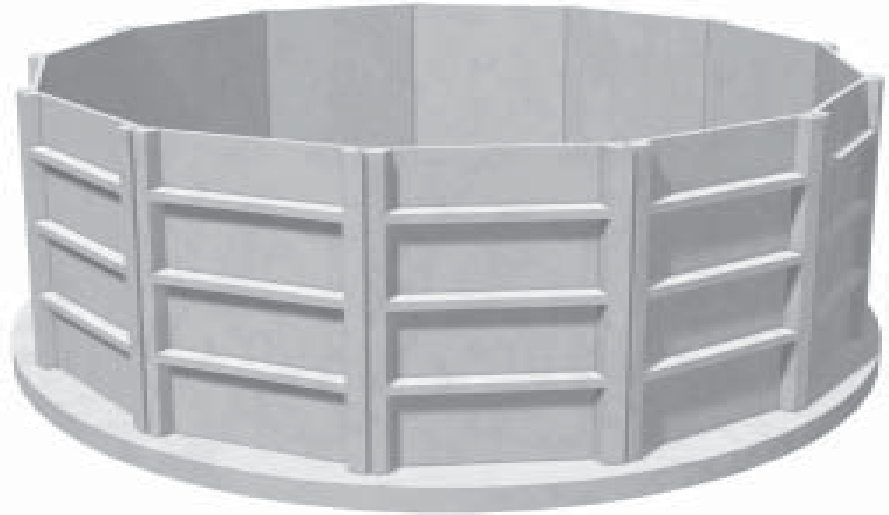


# Abetong Tank C6

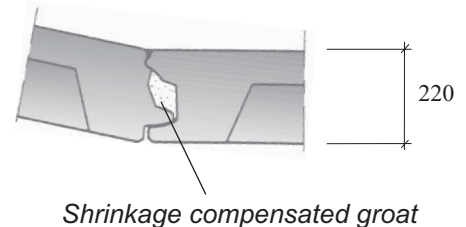
height 3-6 m



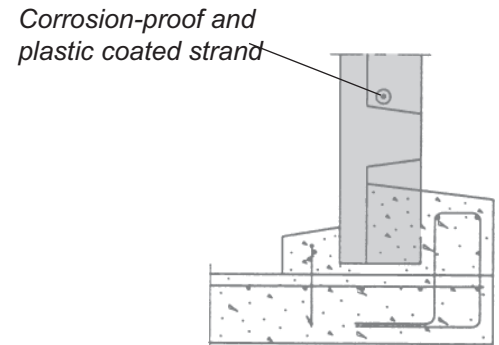
## SWEDISH PRECAST TECHNOLOGY

Height (m)				Nos. of panels	Internal diam.	Base slab diam.
3	4	5	6			
Volume(m <sup>3</sup> )				(m)		
120	160	200	240	10	7,39	8,20
150	200	250	300	11	8,11	8,90
180	240	290	350	12	8,84	9,70
210	280	350	420	13	9,56	10,40
240	320	400	480	14	10,29	11,10
280	370	470	560	15	11,01	11,80
320	430	530	640	16	11,74	12,60
360	480	600	720	17	12,47	13,30
410	540	670	810	18	13,19	14,00
450	600	750	900	19	13,92	14,70
500	670	830	1000	20	14,65	15,50
550	740	920	1100	21	15,38	16,20
610	810	1010	1210	22	16,11	16,90
670	890	1110	1330	23	16,84	17,70
730	970	1210	1450	24	17,57	18,40
790	1050	1310	1570	25	18,30	19,10
870	1160	1440	1730	26	19,20	20,00
940	1250	1560	1860	27	19,93	20,80
1010	1340	1670	2010	28	20,67	21,50
1080	1440	1800	2150	29	21,41	22,20
1160	1540	1920	2310	30	22,14	23,00
1240	1650	2050		31	22,88	23,70
1320	1750	2190		32	23,62	24,40
1400	1870	2330		33	24,36	25,20
1490	1980	2470		34	25,09	25,90
1580	2100	2620		35	25,83	26,70
1670	2220	2780		36	26,57	27,40
1770	2350	2950		37	27,31	28,10
1860	2480	3100		38	28,04	28,90
1960	2610	3260		39	28,78	29,60
2070	2750	3450		40	29,52	30,30
2170	2890	3620		41	30,26	31,10
2280	3030	3800		42	30,98	31,80
2390	3170	3980		43	31,72	32,60
2500	3320	4170		44	32,46	33,30
2610	3480	4350		45	33,19	34,10
2730	3630	4550		46	33,93	34,80
2850	3790	4750		47	34,67	35,50
2980	3960	4970		48	35,41	36,30
3160	4210	5270		49	36,50	37,40
3320	4430	5530		50	37,18	38,20

### Joint design



### Position of strands and connection to the base slab



### Quality control

Abetong is certified according to ISO 9001, 14001 and AFS 2001.

The volumes can vary marginally.

Larger volumes and varying heights of panels could be performed.

The panels could be provided with holes and cast in details.

**ABETONG AB**  
Box 24  
SE-351 03 Växjö  
Sweden

Tel: \*46 470 965 00  
Fax: \*46 470 160 81

[www.abetong.com](http://www.abetong.com)  
[info@abetong.com](mailto:info@abetong.com)

**ABETONG**  
HEIDELBERGCEMENT Group