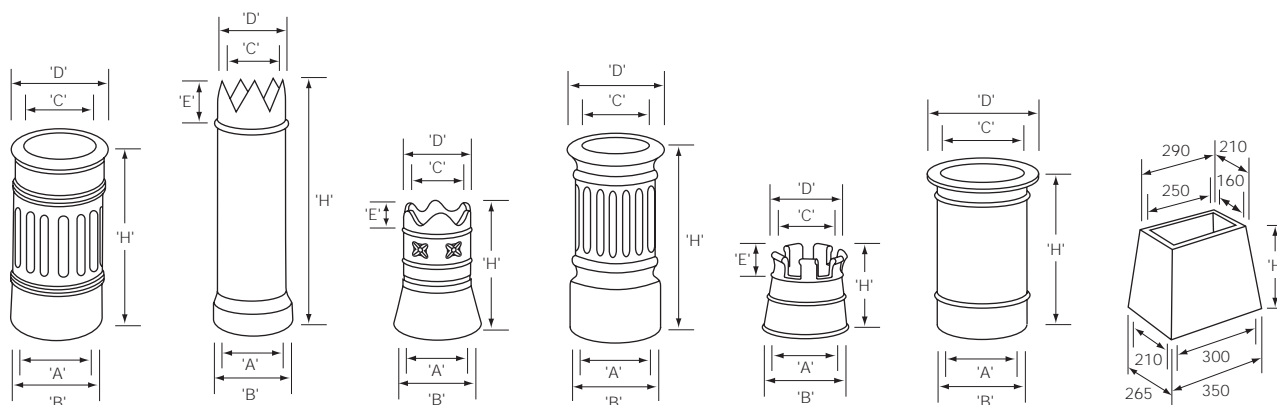


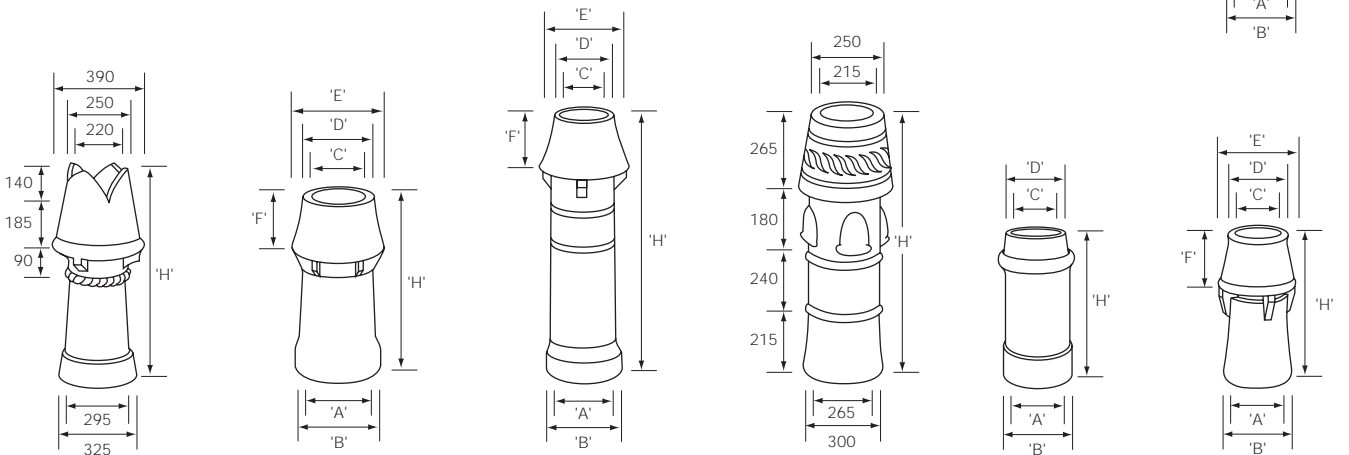
Ornamental



list no.	description	height	base		top		E	F
			A	B	C	D		
8	Fluted Round	600	275 dia	315 dia	245 dia	315 dia	-	-
42	Crown	450, 600, 900	250 dia	290 dia	200 dia	240 dia	180	-
43	Rook	380 500	250 dia 260 dia	290 dia 300 dia	200 dia 200 dia	240 dia 240 dia	55 45	-
45	Fluted Pedestal	600	265 dia	315 dia	215 dia	290 dia	-	-
57	Castle	300	260 dia	295 dia	200 dia	250 dia	90	-
78	Beaded Cannon Head	550	250 dia	290 dia	210 dia	320 dia	-	-
92*	Rectangular Taper	300	see illustrated detail					

*see notes on pages 26 and 27 regarding limited application.

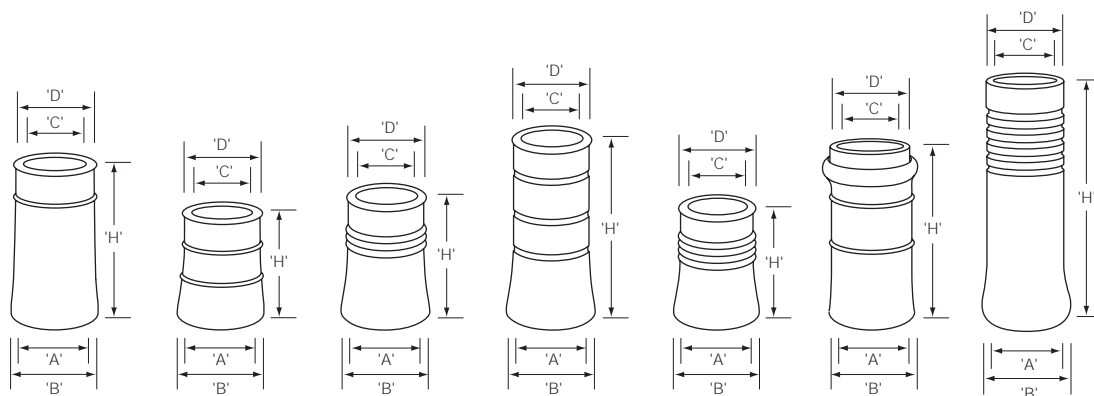
Ornamental



list no.	description	height	base		top				
		H	A	B	C	D	E	F	
18	Lady Broughton	900, 900			see illustrated detail				
35	Tapered Louvre	600	265 dia	300 dia	200 dia	240 dia	315 dia	175 dia	
38	Cannon Head Louvre	900	260 dia	290 dia	210 dia	240 dia	335 dia	165 dia	
46	Ornamental Louvre	900			see illustrated detail				
52	Dublin Can	600, 750, 900	260 dia	295 dia	210 dia	240 dia			
65	Jamieson	600, 750	260 dia	290 dia	200 dia	245 dia	315 dia	215 dia	
113	Capped Can	700	265 dia	300 dia	215 dia	250 dia	350 dia	215 dia	

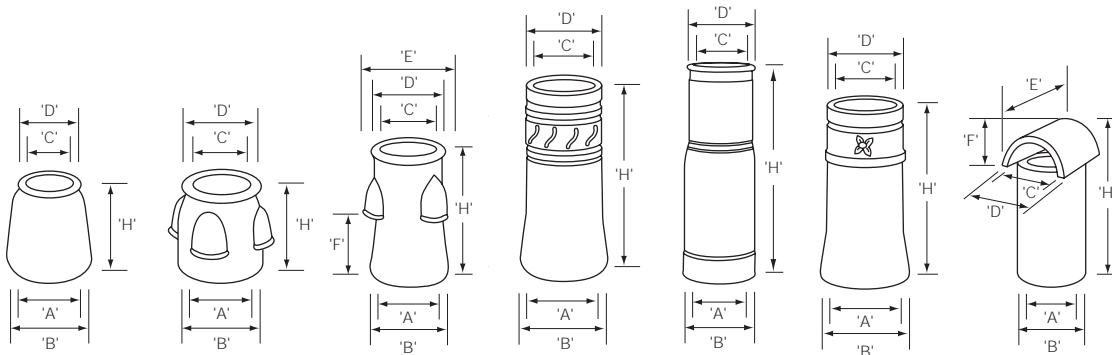
Please Note:
 Many Ornamental patterns are still manufactured to age old designs and may not meet current regulations. If in doubt see notes on pages 26 and 27 regarding limited application or contact Red Bank.

Ornamental



list no.	description	height	base		top	
			A	B	C	D
15	Two Roll	H 300, 375, 450, 600 750, 900	265 dia	300 dia	200 dia	260 dia
22	Three Roll	300, 375, 450, 600 750, 900	265 dia	300 dia	200 dia	260 dia
26	Three Rib Roll	450, 600, 750, 900	265 dia	300 dia	200 dia	260 dia
47	Three Groove Roll	750	265 dia	295 dia	210 dia	260 dia
56	Four Ring Roll	375	265 dia	300 dia	200 dia	260 dia
83	London Roll	600	265 dia	300 dia	220 dia	265 dia
90	Moulded Taper	600, 750	250 dia	290 dia	210 dia	250 dia

Ornamental



list no.	description	height	base		top			
		H	A	B	C	D	E	F
3	Plain Beehive	300, 375, 450, 600, 675, 750, 900	250 dia	290 dia	200 dia	265 dia	-	-
14	Pocket Beehive	300, 375, 450, 600, 750	250 dia	290 dia	200 dia	260 dia	-	-
20	Four Pocket Roll	450, 600	265 dia	295 dia	200 dia	260 dia	325	250
82	Ornamental Round	600	265 dia	295 dia	210 dia	250 dia	-	-
91*	Irish Roll	300, 375, 450, 600, 750, 900	210 dia	250 dia	175 dia	240 dia	-	-
93	Moulded Taper	550	265 dia	295 dia	200 dia	245 dia	-	-
94*	Hooded Pot	525	215 dia	250 dia	200 dia	245 dia	300	115

*see notes on pages 26 and 27 regarding limited application.

Please Note:
 Many Ornamental patterns are still manufactured to age old designs and may not meet current regulations. If in doubt see notes on pages 26 and 27 regarding limited application or contact Red Bank.

Suitability and Application Notes

Chimney Pots & Flue Terminals

The design profile and outlet dimensions of the chimney pot or flue terminal should preferably equate to the shape and cross sectional area of the flue lining.

Minimum recommended dimensions are dependent on the size of the fireplace opening, size of the flue lining or appliance outlet, type of fuel and/or appliance.

Chimney Pots and Flue Terminals suitable for use with Solid Fuel Open Fires and Closed Appliances.

Fireplace with an opening of up to 500mm x 550mm: minimum 200mm diameter or equivalent square/rectangular cross sectional area with no dimension less than 175mm.

Fireplace with an opening in excess of 500mm x 550mm: flue and terminal outlet equivalent to 15% of the area of the fireplace opening with no dimension less than 200mm.

Closed Appliance up to 20kW rated output: minimum 125mm diameter or equivalent square/rectangular cross sectional area, with

no dimension less than 100mm on straight flues or 125mm on flue with bends or offsets. Closed Appliance up to 30kW rated output minimum 150mm diameter or rectangular/ square cross sectional area with no dimension less than 125mm.

Chimney Pots and Flue Terminals suitable for use with natural draft open-flued Gas Burning Appliances.

Flue sizes up to 170mm diameter should be fitted with an approved gas terminal complying with BS 715:1993 and BS 1289-1:1986 as shown on pages 23 and 24. Flue sizes in excess of 170mm diameter may be fitted with suitable terminals to prevent ingress if the total free area of the outlets is at least twice the cross-sectional area of the flue.

Chimney Pots and Flue Terminals suitable for use with Oil Burning Appliances

Minimum dimensions should be the same size or equivalent to the cross-sectional area of the appliance flue outlet. Suitable terminals

may be used to prevent ingress if the total free area of the outlets is at least twice the cross-sectional area of the flue.

Note:

The majority of chimney pots and flue terminals included on pages 4 - 21 are suitable for use with solid fuel open fires and appliances dependent on the cross-sectional area of the outlet.

Some traditional patterns may not meet all current requirements but have time proven performance characteristics.

Owing to the diversity in design and varied application the notes provided on limited and suitable application are for guidance only. Specifiers and installers must ensure that all products are suitable for the intended application and meet all appropriate regulations and installations requirements.

If further assistance is required please contact Red Bank's Technical Services Department.

page	list no.	description/size	limited application	suitable application
5	121-185	185mm dia. top	Traditional pattern has been used extensively with solid fuel open fires, internal top dimension does not meet current recommendations	May be used with solid fuel closed appliances, gas and oil fired appliances dependent on the size of the flue and area of the flue outlet
	150	Blanked Roll Top	Not suitable for use with any live flue, does not provide ventilation.	Suitable for dummy/prefabricated chimneys and blanking off only.
6	175	150mm int. dia. top	Not suitable for use with solid fuel open fires or gas appliances	May be used with solid fuel closed or oil fired appliances dependent on the size of the flue and area of flue outlet
	176	150mm int. dia. top		
	178	150mm int. dia. top		
7	36	175mm int. dia. top	Not suitable for use with solid fuel open fires	May be used with solid fuel closed appliances gas and oil fired appliances dependent on the size of the flue and area of the flue outlet
	39	150mm int. dia. top	Not suitable for use with solid fuel open fires and gas appliances	May be used with solid fuel closed appliances and oil fired appliances dependent the size of the flue and area of the flue outlet
	53	With fixed hood	Not suitable for use with any live flue	For ventilation only
	81	180mm int. dia. top	Traditional pattern has been used extensively with solid fuel open fires, internal top dimension does not meet current recommendations	May be used with solid fuel closed appliances, gas and oil fired appliances dependent on the size of the flue and area of the flue outlet
8	69	160mm int. sq. top	Not suitable for use with solid fuel open fires or gas appliances	May be used with solid fuel closed and oil fired appliances dependent on the size of the flue and area of the flue outlet
10	5	100mm int. dia. spigot	Not suitable for use with solid fuel open fires or closed appliances or gas fired appliances	May be used with oil fired appliances dependent on the size of the flue and area of the flue outlet
	5	125mm int. dia. spigot	Not suitable for use with solid fuel open fires and gas appliances and some solid fuel closed appliances	May be used with some solid fuel closed and oil fired appliances dependent on the size of the flue and area of the flue outlet
	5	145mm int. dia. spigot		
	5	170mm int. dia. spigot		
12 13	Capped Louvre Capped Louvre Insert	Not suitable for use with solid fuel open fires or closed appliances or gas appliances	May be used with some oil fired appliances dependent on the size of the flue and area of the flue outlet	
11	74	Hooded Louvre Top	Not suitable for use with any live flue	For ventilation only
	106	165 x 225mm int. rectangular top	Traditional pattern has been used extensively with solid fuel open fires, minimum internal top dimension less than 175mm but total cross section area of outlets in excess of equivalent 200mm int. dia.	May be used with solid fuel closed appliances and oil fired appliances dependent on the size of the flue and area of the flue outlet
	107			
	108 109			
12	29	Cowl Top	Not suitable for use with solid fuel open fires or gas appliances	May be used with solid fuel closed and oil fired appliances dependent on the size of the flue and area of the flue outlet
	58	150mm int. dia. top	Not suitable for solid fuel open fires or gas appliances	May be used with solid fuel closed appliances and oil fired appliances dependent on the size of the flue and area of the flue outlet
	60	175mm int. dia. top	Traditional pattern has been used extensively with solid fuel open fires, internal top dimension does not meet current recommendations but total cross section area of outlets in excess of equivalent 200mm int. dia.	May be used with solid fuel closed appliances and oil fired appliances dependent on the size of the flue and area of the flue outlet
	112	Venetian Cap	Not suitable for use with any live flue	For ventilation only

page	list no.	description/size	limited application	suitable application
13	6	185mm int. dia. barrel	Traditional pattern has been used extensively with solid fuel open fires, internal top dimension does not meet current recommendations	May be used with solid fuel closed appliances, gas and oil fired appliances dependent on the size of the flue and area of the flue outlet
	10	160mm int. dia. barrel	Not suitable for solid fuel open fires or gas appliances	May be used with solid fuel open fires and closed and oil fired appliances dependent on the size of the flue and area of the flue outlet
	59	185mm int. dia. outlet	Traditional pattern has been used extensively with solid fuel open fires, internal outlet dimension does not meet current recommendations	May be used with solid fuel closed appliances gas and oil fired appliances dependent on the size of the flue and area of the flue outlet
14	92	160 x 250mm int. rectangular top	Traditional pattern has been used extensively with solid fuel open fires, minimum internal top dimension less than 175mm but total cross sectional area of outlet in excess of equivalent 200mm int. dia.	May be used with solid fuel closed appliances and oil fired appliances dependent on the size of the flue and area of the flue outlet
17	91	175mm int. dia. top	Not suitable for solid fuel open fires	May be used with solid fuel closed appliances gas and oil fired appliances dependent on the size of the flue and area of the flue outlet
	94	Hooded Pot	Not suitable for use with live flue	For ventilation only
18	98	'H' Insert	Not suitable for solid fuel open fires or gas appliances	May be used with solid fuel closed appliances and oil fired appliances dependent on the size of the flue and area of the flue outlet
	122	'H' Pot 150mm tube		

Inserts

page	list no.	description/size	limited application	suitable application
22	30 103 116 118 119	Hood Top Hood Top (Square Spigot) Weatherguard Top Mushroom Top Mushroom Top (Outside Fitting) Flue Ventilator	Not suitable for use with any live flue serving solid fuel open fire or closed appliance, gas or oil fired appliance	For ventilation only
	120 117	Flue Ventilator Blank Stopper	Not suitable for use with any live flue, does not provide ventilation	For blanking off only

Gas Flue Terminals

page	list no.	description/size	limited application	suitable application
23	610 611 612 617 636	GC2 Base GC2 Top GC2 Insert GC2 Insert GC10 Clay Can	Not suitable for use with Decorative Fuel Effect gas fires and Inset Live Fuel Effect gas fires requiring minimum 175mm flue or solid fuel open fires and appliances	May be used with all types of approved gas fired appliances including standard radiant gas fires with flue outlets up to 125mm dia. outlet where flueway has been lined with 125mm int. dia flexible metal liner
	613	GC3 Insert	Not suitable for use with Decorative Fuel Effect gas fires and Inset Live Fuel Effect gas fires requiring minimum 175mm flue or solid fuel open fires and appliances	May be used with all types of approved gas fired appliances with flue outlet up to 150mm dia.
24	618 623 624 625	Bishop GC2 Stangas Insert Crowned GC5 Insert GC5 Insert	Not suitable for use with Decorative Fuel Effect gas fires and Inset Live Fuel Effect gas fires requiring minimum 175mm dia flue or solid fuel open fires and appliances	May be used with all types of approved gas fired appliances including standard radiant gas fires with flue outlets up to 125mm dia. outlet and some Inset Live Fuel Effect gas fires, classified by appliance manufacturer as suitable for use with Class 2 Flue Blocks
	534	GC9	Not suitable for use with solid fuel open fires or appliances	Suitable for use with Decorative Fuel Effect gas fires and Inset Live Fuel Effect gas fires requiring minimum 175mm int. dia. flue, maximum recommended flue size 200 x 200mm int. square or 225mm int. dia.
25	145 147	DFE Pot DFE Pot with Birdguard	Not suitable for use with Class 2 flue blocks or where gas flueway has been reduced to less than 175mm int. dia.	Suitable for use with Decorative Fuel Effect gas fires and Inset Live Fuel Effect gas fires requiring minimum 175mm int. dia. flue, maximum recommended flue size 225mm int. dia. or equivalent square section. May also be used with solid fuel open fires to help reduce rain penetration
	146 148	DFE Insert 215mm ext. dia. and 210mm ext. square spigot	Not suitable for use with Class 2 flue blocks or where gas flueway has been reduced to less than 175mm int. dia. Solid fuel open fires or where flue terminal is less than 225mm int. dia.	Suitable for use with Decorative Fuel Effect gas fires and Inset Live Fuel Effect gas fires requiring minimum 175mm int. dia. flue, maximum recommended flue size 225mm int. dia. or equivalent square section
	146 148	DFE Insert 235mm, 270mm ext. dia. and 235mm, 270mm ext. square spigot	Not suitable for use with Class 2 flue blocks or where gas flueway has been reduced to less than 175mm int. dia.	Suitable for use with Decorative Fuel effect gas fires requiring minimum 175mm int. dia. flue. May also be used with larger flue sizes dependent on the appliance manufactures recommendations, the internal/external dimension of the spigot and solid fuel open fires, dependent on the flue size, to help reduce rain penetration
	149	DFE Pot Circular Base with Birdguard	Not suitable for use with Class 2 flue blocks or where gas flueway has been reduced to less than 175mm int. dia.	Suitable for use with Decorative Fuel effect gas fires requiring minimum 175mm int. dia. flue. May also be used with larger flue sizes dependent on the appliance manufactures recommendations and solid fuel open fires, dependent on the flue size, to help reduce rain penetration
	151	DFE Pot Square Base with Birdguard		
152	Hooded Square Pot with Birdguard			